

29

PRECISION 2.5 VOLT MICROPOWER VOLTAGE REFERENCE

ZRA250

ISSUE 1 - JANUARY 1996

DEVICE DESCRIPTION

The ZRA250 uses a bandgap circuit design to achieve a precision micropower voltage reference of 2.5 volts. The device is available in small outline surface mount packages, ideal for applications where space saving is important.

The ZRA250 design provides a stable voltage without an external capacitor and is stable with capacitive loads. The ZRA250 is recommended for operation between 50µA and 5mA and so is ideally suited to low power and battery powered applications.

Excellent performance is maintained to a suggested absolute maximum of 25mA, however the rugged design and 20 volt processing allows the reference to withstand transient effects and currents up to 200mA. Superior switching capability allows the device to reach stable operating conditions in only a few microseconds.

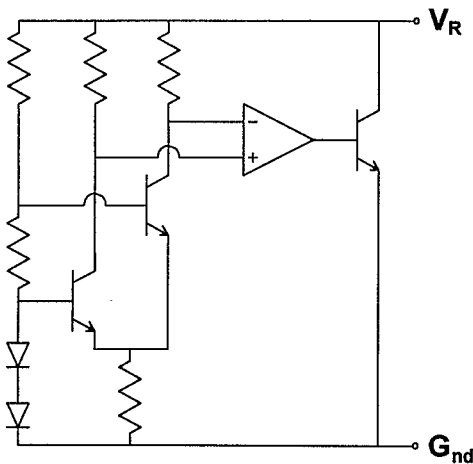
FEATURES

- Small outline SOT23, SO8 and TO92 style packages.
- No stabilising capacitor required
- Typical T_c 30ppm/°C
- Typical slope resistance 0.4Ω
- ± 3%, 2% and 1% tolerance
- Industrial temperature range
- Operating current 50µA to 5mA
- Transient response, stable in less than 10µs
- Optional extended current range

APPLICATIONS

- Battery powered and portable equipment.
- Metering and measurement systems.
- Instrumentation.
- Test equipment.
- Data acquisition systems.
- Precision power supplies.

SCHEMATIC DIAGRAM



CONNECTION TABLE

Pin	SO8	SOT23	E-LINE 3 pin	E-LINE 3 pin R	E-LINE 2 pin
1	N/C	-	-	G_{nd}	G_{nd}
2	N/C	G_{nd}	V_R	V_R	V_R
3	N/C	V_R	G_{nd}	-	-
4	G_{nd}	-	-	-	-
5	N/C	-	-	-	-
6	N/C	-	-	-	-
7	N/C	-	-	-	-
8	V_R	-	-	-	-
Pack	N8	F	A	R	Y

see Diagrams Page 1 - 8

ZRA250

ABSOLUTE MAXIMUM RATING

Reverse Current	25mA
Forward Current	25mA
Operating Temperature	-40 to 85°C
Storage Temperature	-55 to 125°C

Power Dissipation (T_{amb}=25°C)

SOT23	330mW
E-line, 3 pin (TO92)	500mW
E-line, 2 pin (TO92)	500mW
SO8	625mW

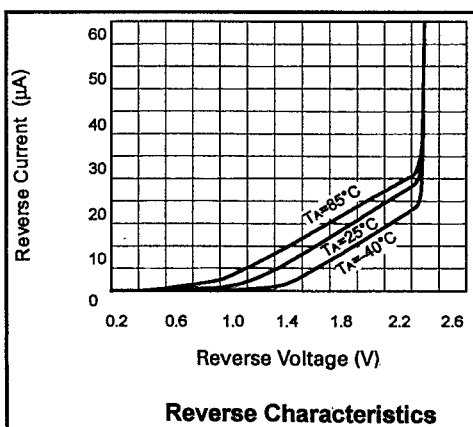
ELECTRICAL CHARACTERISTICS

TEST CONDITIONS (Unless otherwise stated) T_{amb}=25°C

SYMBOL	PARAMETER	CONDITIONS	LIMITS			TOL. %	UNITS
			MIN	TYP	MAX		
V _R	Reverse Breakdown Voltage	I _R =150μA	2.475 2.45 2.425	2.5 2.5 2.5	2.525 2.55 2.575	1 2 3	V
I _{MIN}	Minimum Operating Current			25	50		μA
I _R	Recommended Operating Current		0.05		5		mA
T _C †	Average Reverse Breakdown Voltage Temp. Co.			30	90		ppm/°C
R _S §	Slope Resistance	I _{R(min)} to I _{R(max)}		0.4	2		Ω
Z _R	Reverse Dynamic Impedance	I _R = 1mA f = 100Hz I _{AC} = 0.1 I _R		0.3	0.8		Ω
E _N	Wideband Noise Voltage	I _R = 150μA f = 10Hz to 10kHz		43			μV(rms)

$$† T_C = \frac{V_R \text{ Change} \times 1000000}{V_R \times \text{Temperature Change}}$$

$$§ R_S = \frac{V_R \text{ Change } (I_R \text{ (min) to } I_R \text{ (max)})}{I_R \text{ (max)} - I_R \text{ (min)}}$$



ZRA250

TYPICAL CHARACTERISTICS

